

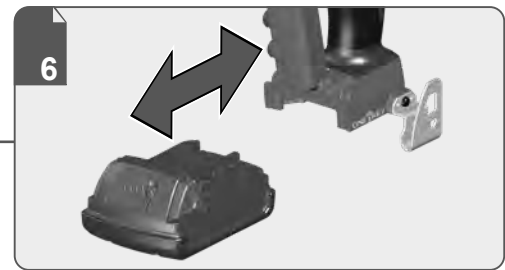
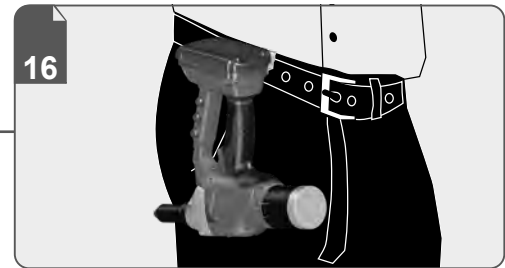
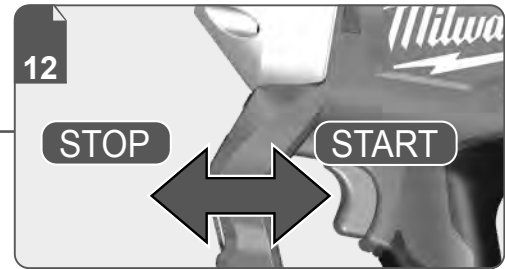
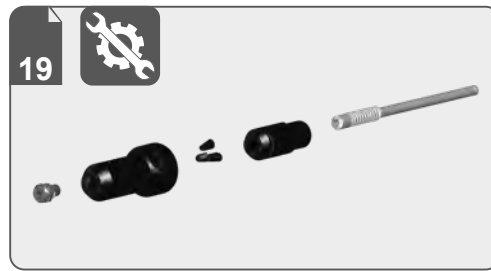
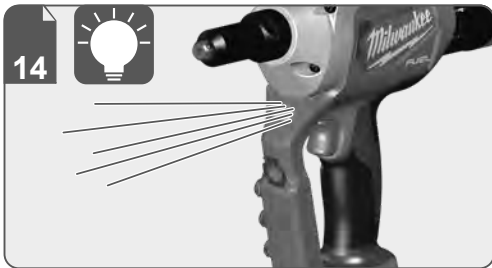
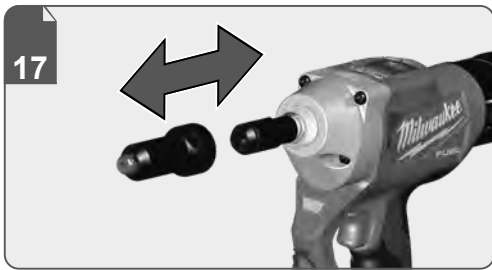


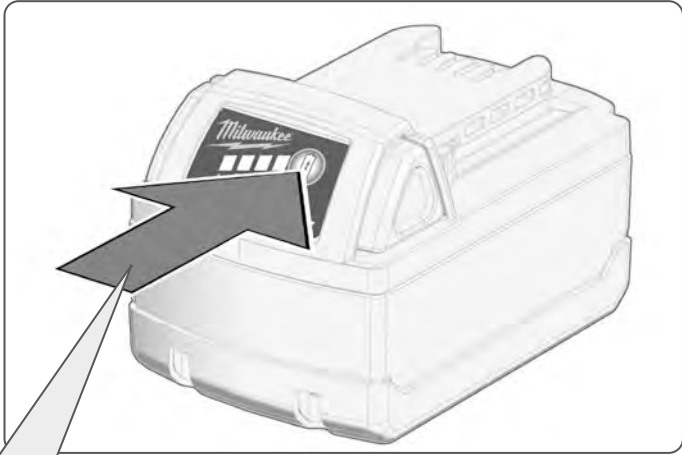
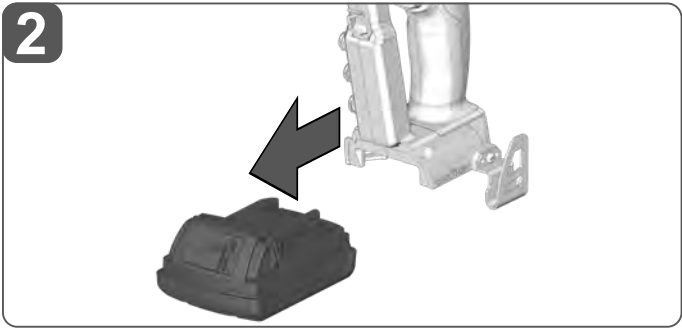
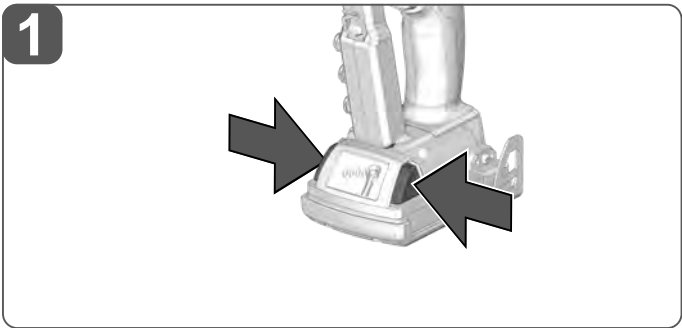
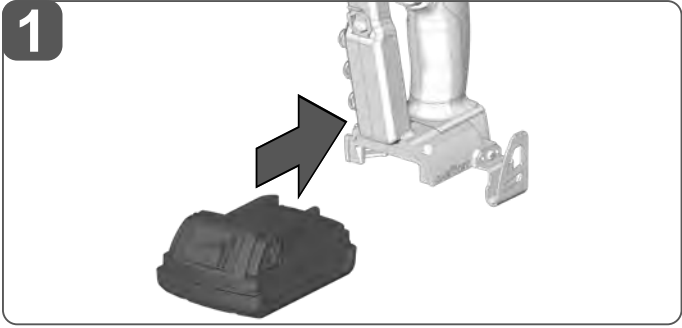
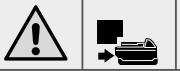
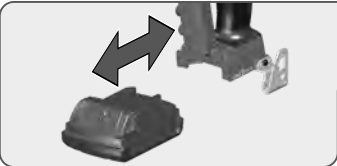
Nothing but **HEAVY DUTY.**[®]



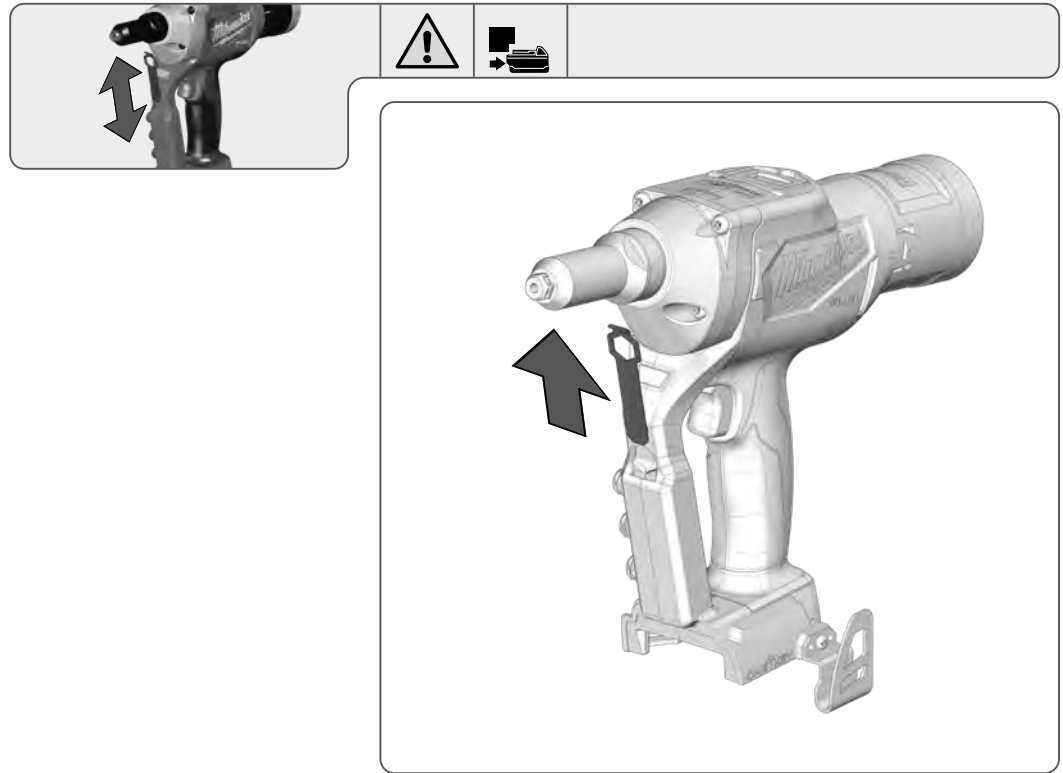
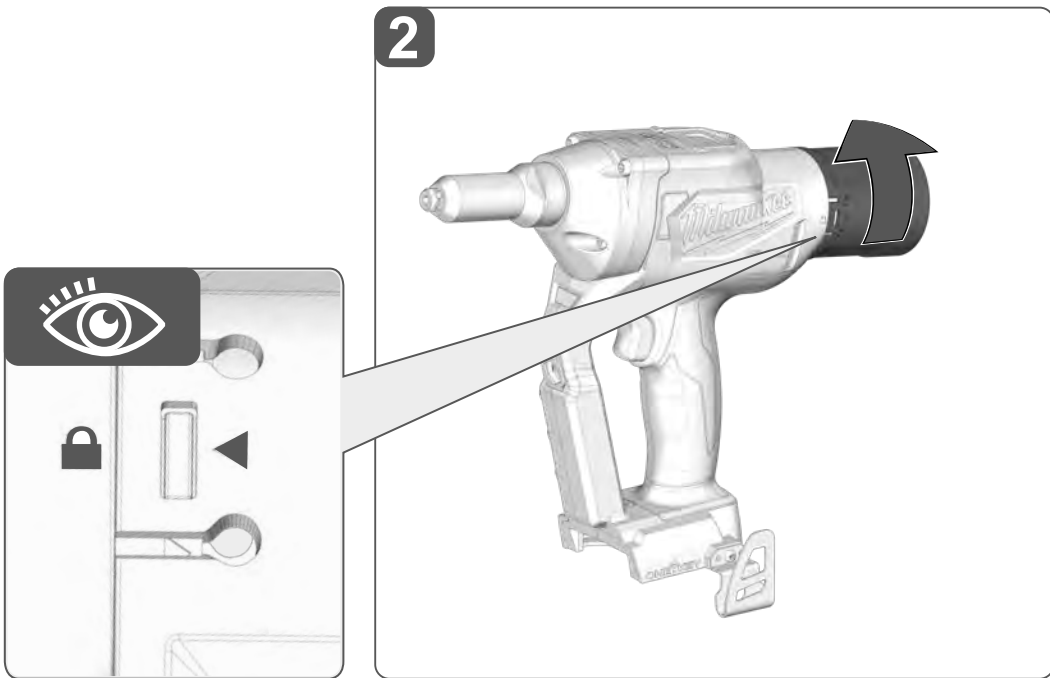
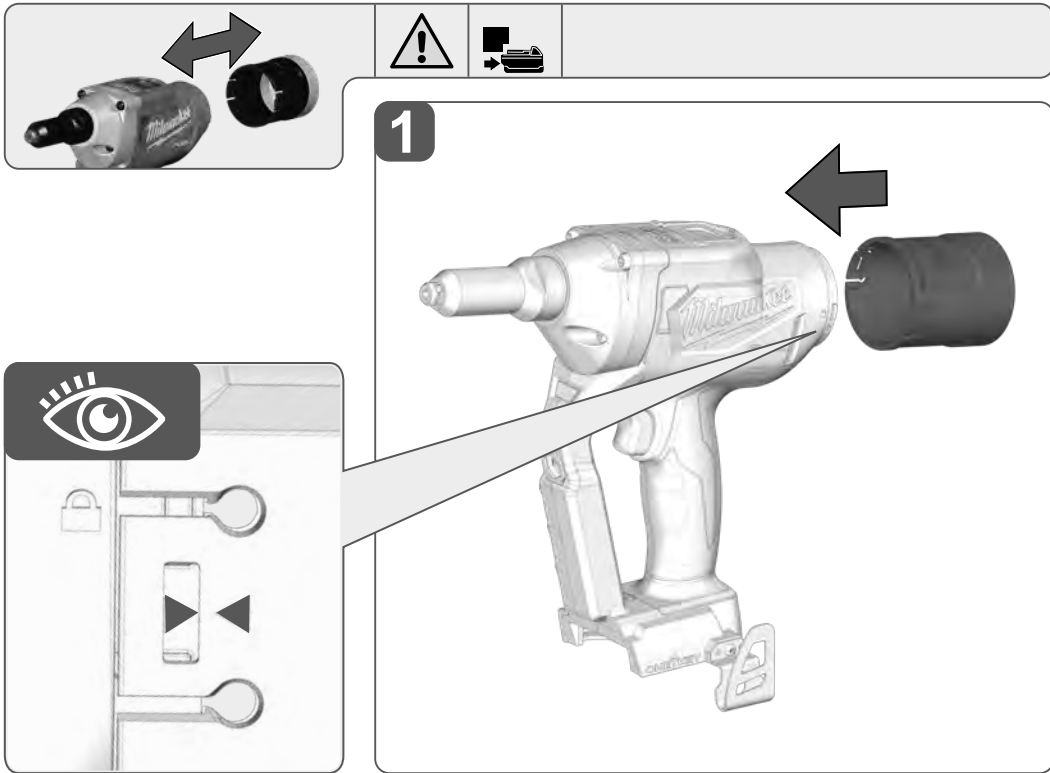
M18 ONEFPRT

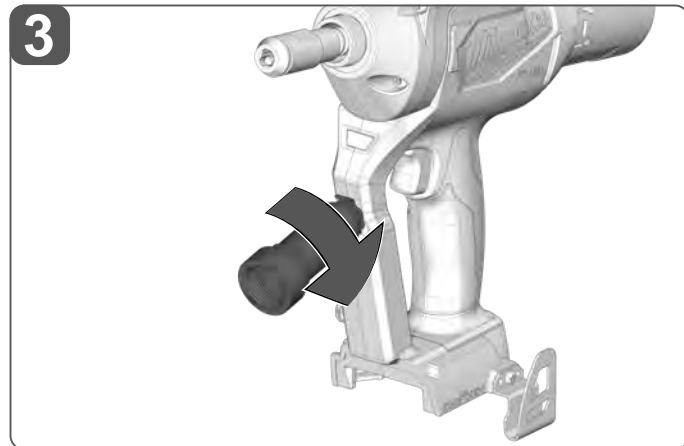
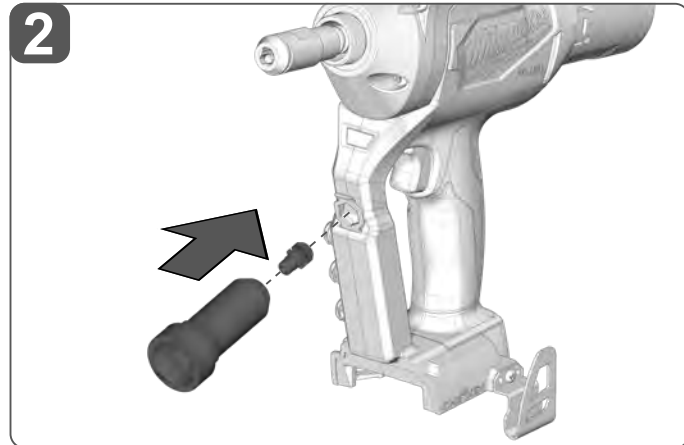
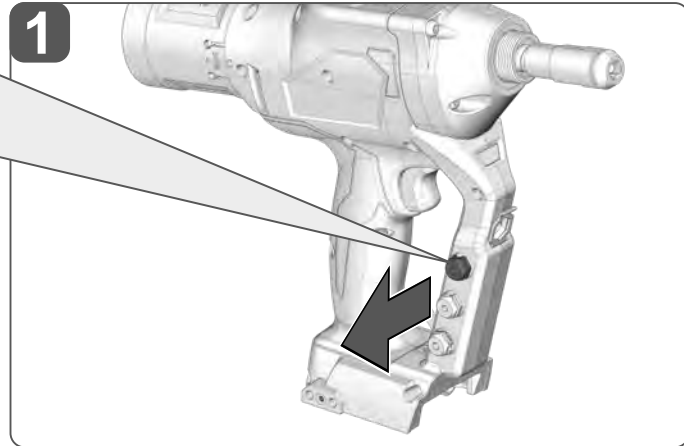
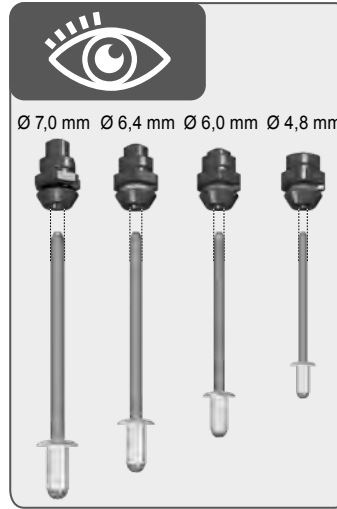
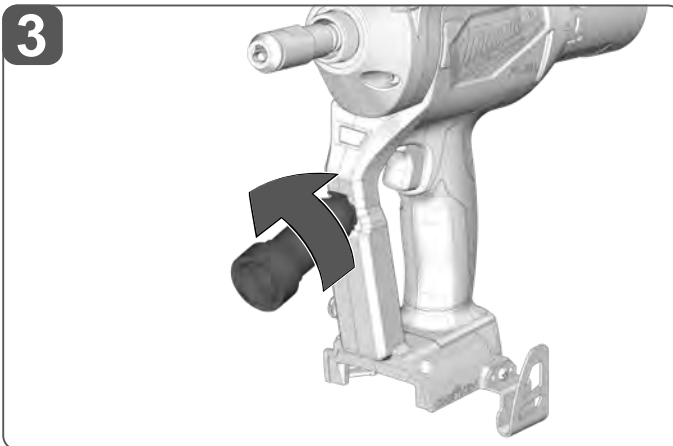
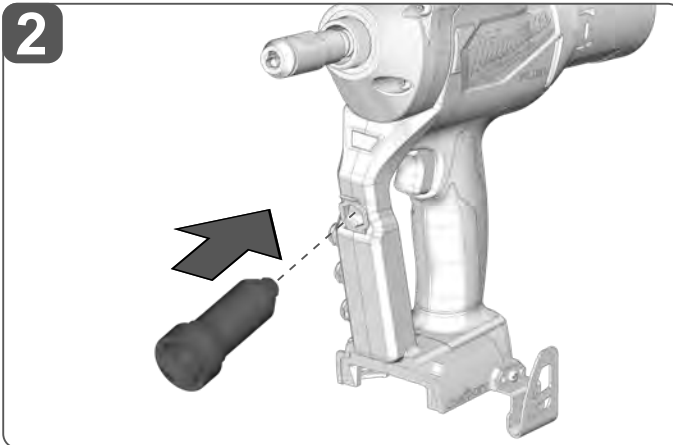
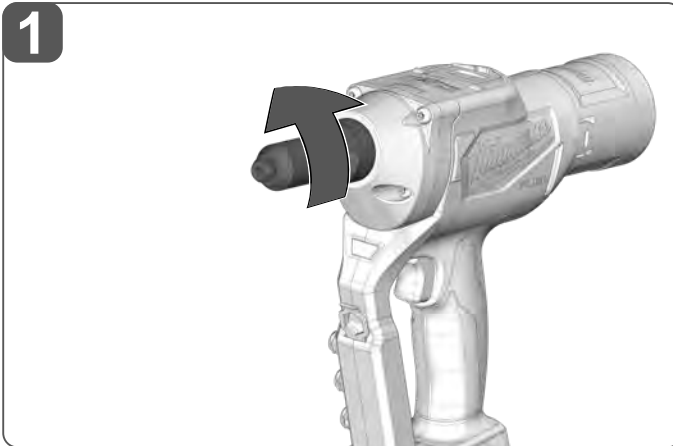
Original instructions

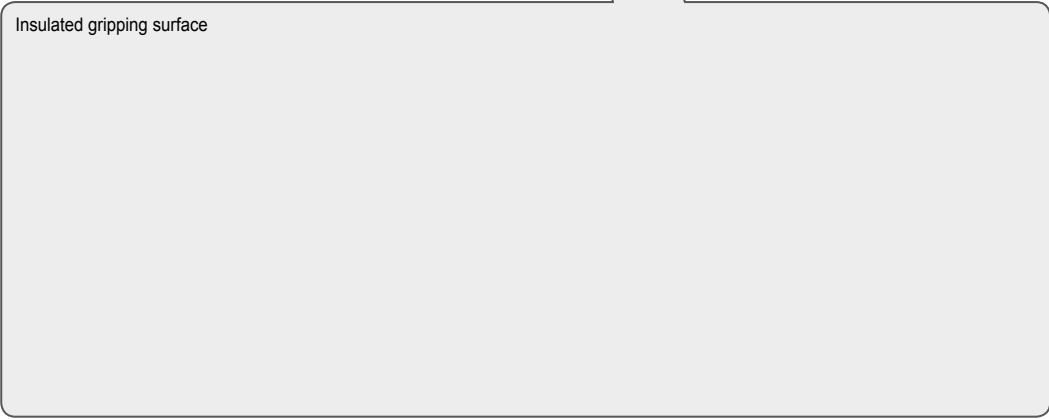
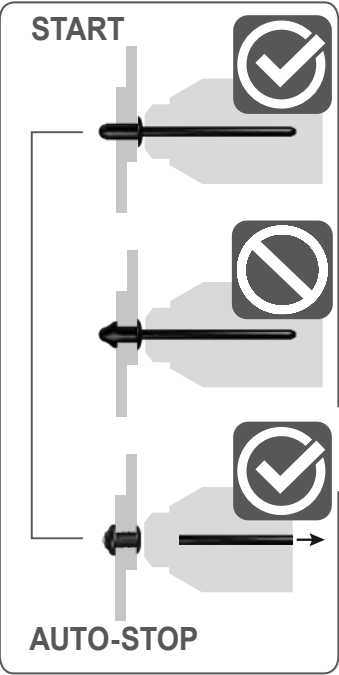
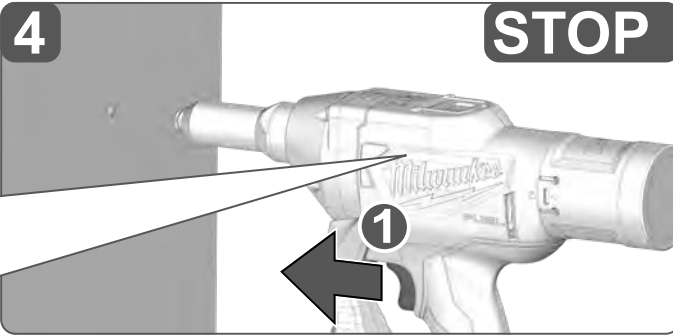
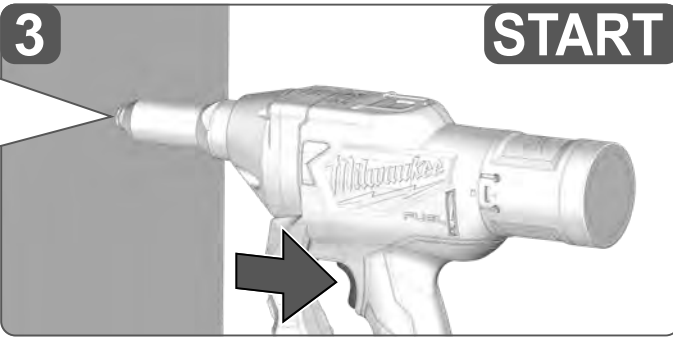
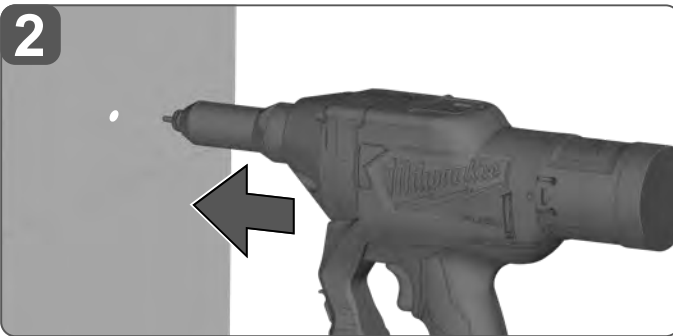
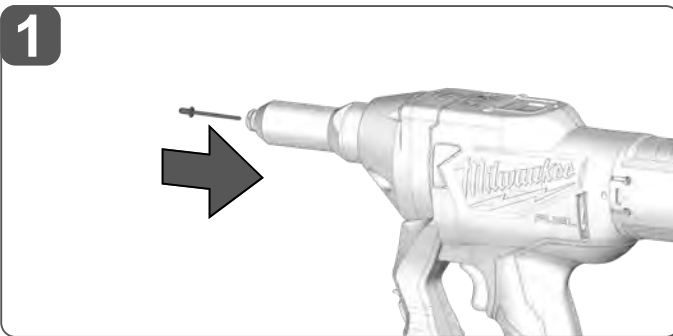
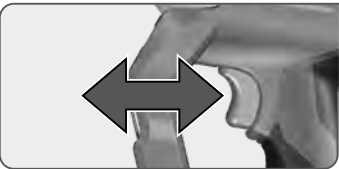


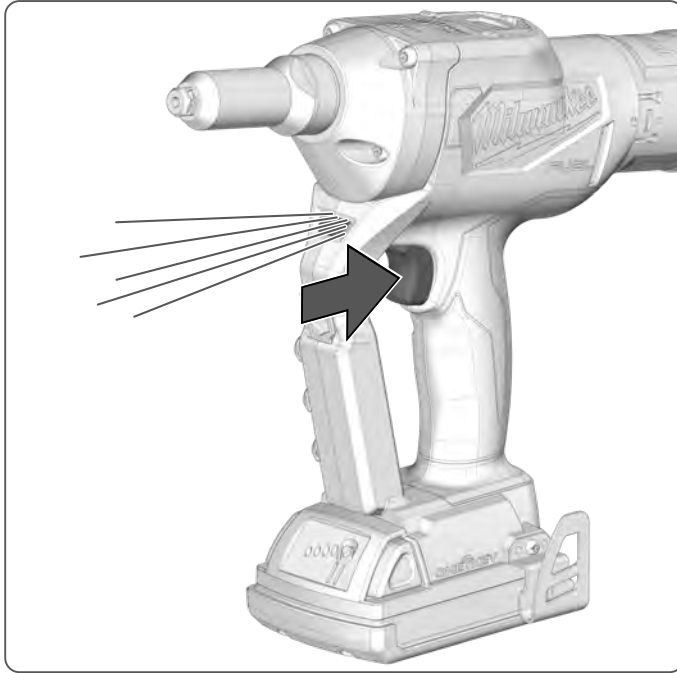


		75-100 %
		50-75 %
		25-50 %
		10-25 %
		< 10 %







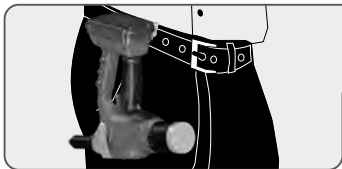


1

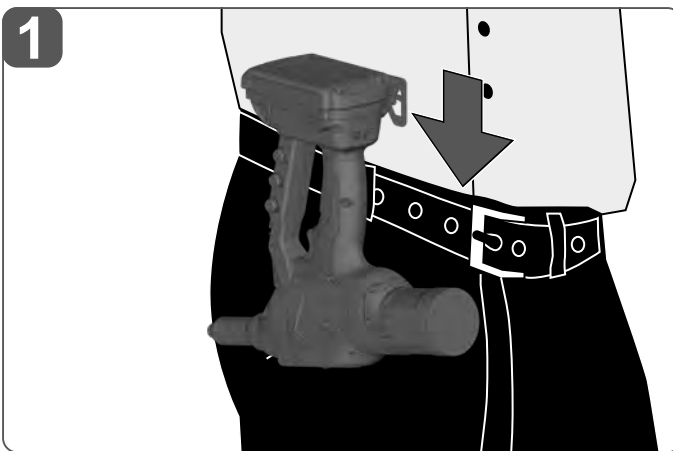


2

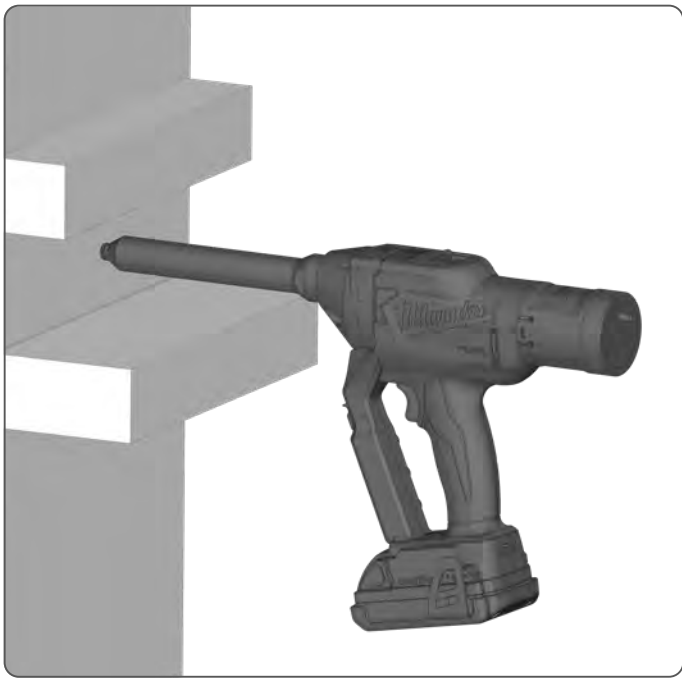
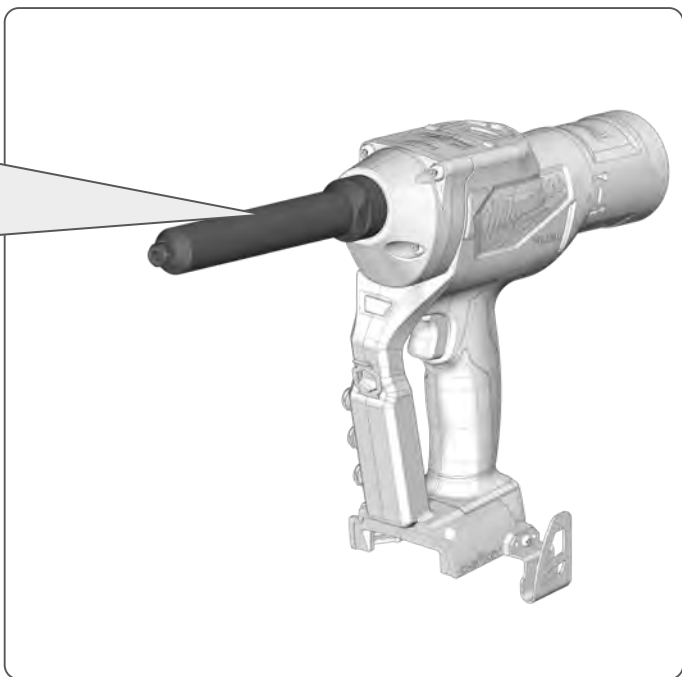
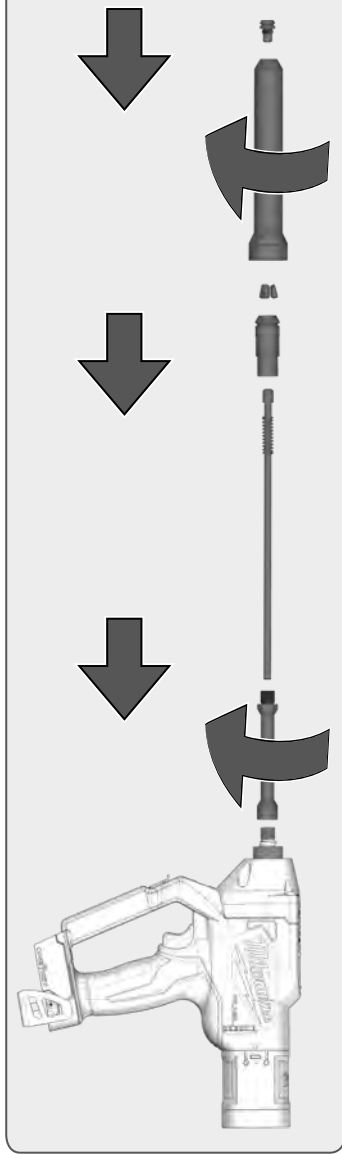
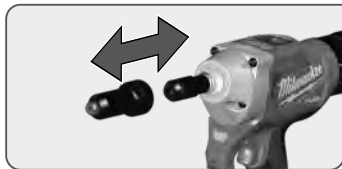
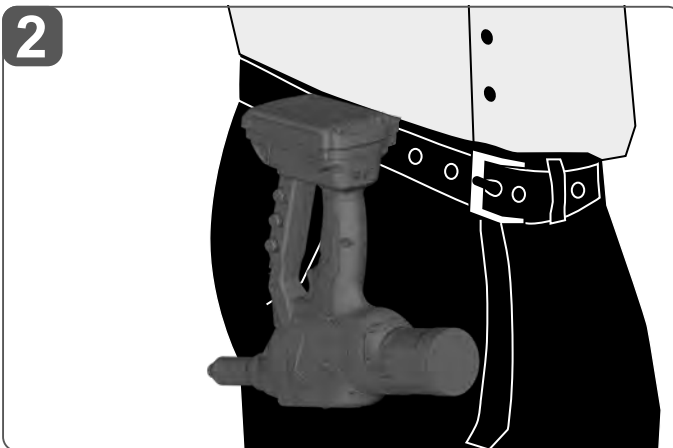


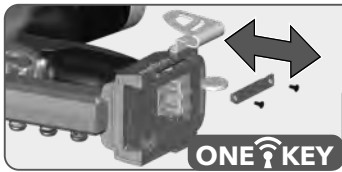


1

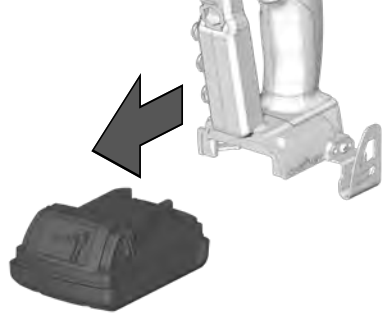


2

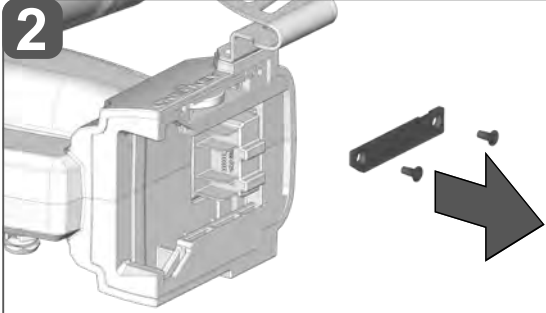




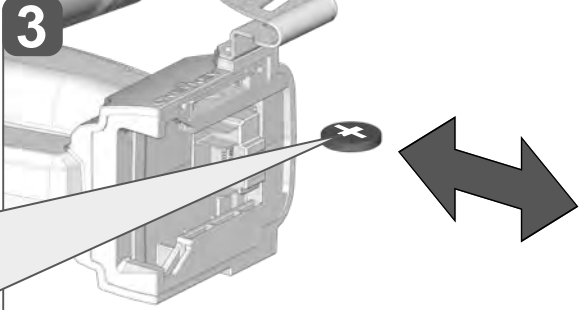
1



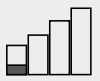
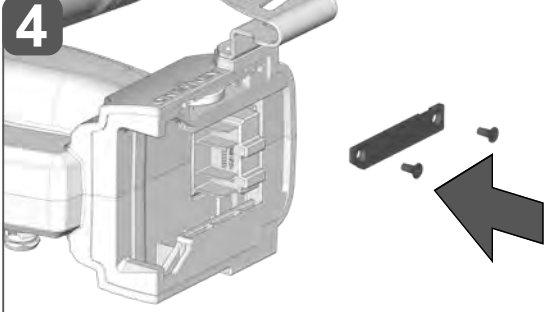
2



3



4

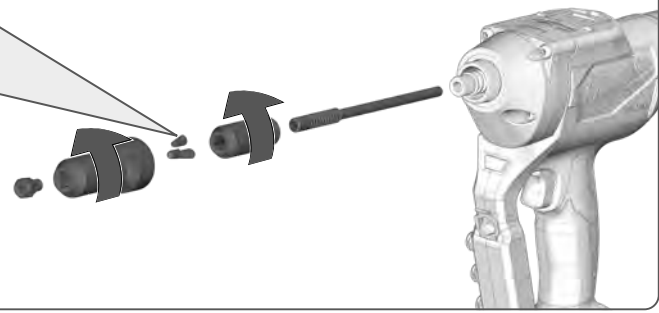
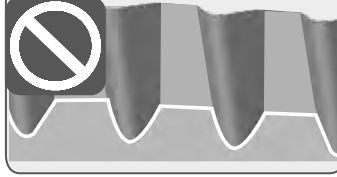
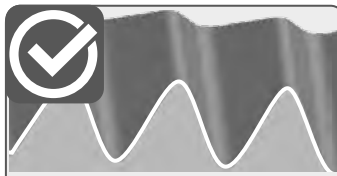


3V CR2032
Coin Cell



1

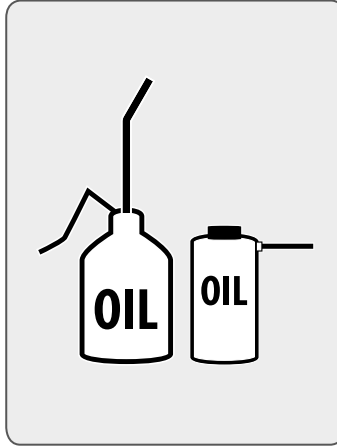
5000 x



2



3



TECHNICAL DATA		M18 ONEFPRT	
Type		Rivet tool	
Production code		4831 05 01 XXXXXX MJJJ	
Battery voltage		18 V	
Frequency band(s) of Bluetooth		2402 - 2480 MHz	
Radio-frequency power		1,8 dBm	
Bluetooth version		4.2 BT signal mode	
Pull force		20000 N	
Tool stroke length		30,0 mm	
Jaw diameter max.		7,0 mm	
Rivet size Ø			
Black		4,8 mm	
Red		6,0 mm	
Green		6,4 mm	
Brown		7,0 mm	
Rivet material		Aluminium Copper Steel Stainless steel	
Weight according EPTA-Procedure 01/2014 (Li-Ion 2,0 Ah ... 12,0 Ah)		2,5 ... 3,5 kg	
Recommended Ambient Operating Temperature		0 ... +50 °C	
Recommended battery types		M18B...; M18HB...	
Recommended charger		M12-18...; M1418C6	
Noise information: Measured values determined according to EN 62841. Typically, the A-weighted noise levels of the tool are:			
Sound pressure level / Uncertainty K		81 dB (A) / 3dB (A)	
Sound power level / Uncertainty K		92 dB (A) / 3dB (A)	
Wear ear protectors!			
Vibration information: Vibration total values (triaxial vector sum) determined according to EN 62841.			
Vibration emission value a_{rh} / Uncertainty K		< 2,5 m/s ² / 1,5 m/s ²	

⚠ WARNING!

The vibration and noise emission level given in this information sheet has been measured in accordance with a standardized test given in EN 62841 and may be used to compare one tool with another. It may be used for a preliminary assessment of exposure.

The declared vibration and noise emission level represents the main applications of the tool. However if the tool is used for different applications, with different accessories or poorly maintained, the vibration and noise emission may differ. This may significantly increase the exposure level over the total working period.

An estimation of the level of exposure to vibration and noise should also take into account the times when the tool is switched off or when it is running but not actually doing the job. This may significantly reduce the exposure level over the total working period.

Identify additional safety measures to protect the operator from the effects of vibration and/or noise such as: maintain the tool and the accessories, keep the hands warm, organization of work patterns.

⚠ WARNING! Read all safety warnings, instructions, illustrations and specifications provided with this power tool. Failure to follow all instructions listed below may result in electric shock, fire and/or serious injury.

Save all warnings and instructions for future reference.

RIVET TOOL SAFETY WARNINGS

Hold the power tool by insulated gripping surfaces only, when performing an operation where the cutting accessory may contact hidden wiring. Cutting accessory contacting a "live" wire may make exposed metal parts of the power tool "live" and could give the operator an electric shock.

Use protective equipment. The use of protective clothing is recommended, such as dust mask, protective gloves, sturdy non-slip footwear, helmet and ear defenders.

Have damage repaired immediately by an authorised workshop. Remove the battery pack before starting any work on the appliance.

To avoid injury and damage, never immerse the tool, removable battery or charger in liquid or allow liquid to penetrate them.

ADDITIONAL SAFETY AND WORKING INSTRUCTIONS

WARNING! To reduce the risk of fire, personal injury, and product damage due to a short circuit, never immerse your tool, battery pack or charger in fluid or allow a fluid to flow inside them. Corrosive or conductive fluids, such as seawater, certain industrial chemicals, and bleach or bleach containing products, etc., Can cause a short circuit.

Never break open battery packs and chargers and store only in dry rooms. Keep dry at all times.

Use only System M18 chargers for charging System M18 battery packs. Do not use battery packs from other systems.

WARNING! This device contains a button-type/coin cell lithium battery. A new or used battery can cause severe internal burns and lead to death in as little as 2 hours if swallowed or if it enters the body. Always secure the cover on the battery compartment. If it does not close securely, stop the device, remove the battery and keep it out of reach of children. If you believe that someone has swallowed the battery or that it has otherwise entered the body, seek immediate medical attention.

SPECIFIED CONDITIONS OF USE

This blind riveting power tool is designed for professional blind rivet setting applications.

Do not use the product in any way other than those stated for intended use.

RESIDUAL RISK

Even when the product is used as prescribed, it is still impossible to completely eliminate certain residual risk factors. The following hazards may arise in use and the operator should pay special attention to avoid the following:

- Injury caused by vibration. Hold the product by designated handles and restrict working time and exposure.
- Exposure to noise can cause hearing injury. Wear ear protection and limit exposure.
- Injury due to flying debris. Wear eye protection, heavy long trousers, gloves and substantial footwear at all times.
- Inhalation of toxic dusts.

NOTES FOR LI-ION BATTERIES

Use of Li-Ion batteries

Battery packs which have not been used for some time should be recharged before use.

Temperatures in excess of 50°C (122°F) reduce the performance of the battery pack. Avoid extended exposure to heat or sunshine (risk of overheating).

The contacts of chargers and battery packs must be kept clean.

For an optimum life-time, the battery packs have to be fully charged, after use.

To obtain the longest possible battery life remove the battery pack from the charger once it is fully charged.

For battery pack storage longer than 30 days:

Store the battery pack where the temperature is below 27°C and away from moisture

Store the battery packs in a 30% - 50% charged condition

Every six months of storage, charge the pack as normal.

Battery protection for Li-Ion batteries

In extremely high torque, binding, stalling and short circuit situations that cause high current draw, the tool will vibrate for about 5 seconds, the fuel gauge will flash, and then the tool will turn OFF.

To reset, release the trigger. Under extreme circumstances, the internal temperature of the battery pack could raise too much. If this happens, the fuel gauge will flash until the battery pack cooled down. After the lights go off, the work may continue.

Transporting Lithium Batteries

Lithium-ion batteries are subject to the Dangerous Goods Legislation requirements.

Transportation of those batteries has to be done in accordance with local, national and international provisions and regulations.

The user can transport the batteries by road without further requirements.

Commercial transport of Lithium-Ion batteries by third parties is subject to Dangerous Goods regulations. Transport preparation and transport are exclusively to be carried out by appropriately trained persons and the process has to be accompanied by corresponding experts.

When transporting batteries:

Ensure that battery contact terminals are protected and insulated to prevent short circuit.

Ensure that battery pack is secured against movement within packaging. Do not transport batteries that are cracked or leak.

Check with forwarding company for further advice.

ONE-KEY™

To learn more about the ONE-KEY functionality of this device, please refer to the Quick Start guide included with this product or go to <http://www.milwaukeekeetool.com/one-key>.

To download the ONE-KEY app, visit the App Store or Google Play from your smart device.

Also, when the product experiences ESD, the Bluetooth communication will be disconnected. It needs to be reset manually to recover. We considered the results to be within our minimum acceptable performance level according to EN 55014-2 / EN 301 489-1 / EN 301 489-17.

CLEANING

The ventilation slots of the machine must be kept clear at all times.

MAINTENANCE

Use only Milwaukee accessories and Milwaukee spare parts. Should components need to be replaced which have not been described, please contact one of our Milwaukee service agents (see our list of guarantee/service addresses).

If needed, an exploded view of the tool can be ordered. Please state the Article No. as well as the machine type printed on the label and order the drawing at your local service agents or directly at: Techtronic Industries GmbH, Max-Eyth-Straße 10, 71364 Winnenden, Germany.

SYMBOLS

	Please read the instructions carefully before starting the machine.
	CAUTION! WARNING! DANGER!
	Remove the battery pack before starting any work on the appliance.
	Do not swallow the coin cell battery!
	Always wear goggles when using the machine.
	Wear gloves!
	Accessory - Not included in standard equipment, available as an accessory.
	Do not dispose of electric tools together with household waste material. Electric tools and electronic equipment that have reached the end of their life must be collected separately and returned to an environmentally compatible recycling facility. Check with your local authority or retailer for recycling advice and collection point.
V	Voltage
	Direct Current
	European Conformity Mark
	British Conformity Mark
	Ukraine Conformity Mark
	EurAsian Conformity Mark

EC-DECLARATION OF CONFORMITY

We declare as the manufacturer under our sole responsibility that the product described under "Technical Data" fulfills all the listed below relevant regulations and the directives and harmonized standards have been used.

2011/65/EU (RoHS)
 2006/42/EC
 2014/53/EU
 EN 62841-1:2015
 EN 55014-1:2017+A11:2020
 EN 55014-2:2015
 EN 62479:2010
 EN 300 328 V2.2.2
 EN 301 489-1 V2.2.3
 EN 301 489-17 V3.2.4
 EN IEC 63000:2018

Winnenden, 2021-01-19


 Alexander Krug
 Managing Director



Authorized to compile the technical file

GB-DECLARATION OF CONFORMITY

We declare as the manufacturer under our sole responsibility that the product described under "Technical Data" fulfills all the listed below relevant regulations and the directives and harmonized standards have been used.

S.I. 2012/3032 (as amended)
 S.I. 2008/1597 (as amended)
 S.I. 2017/1206 (as amended)
 BS EN 62841-1:2015
 BS EN 55014-1:2017+A11:2020
 BS EN 55014-2:2015
 BS EN 62479:2010
 EN 300 328 V2.2.2
 EN 301 489-1 V2.2.3
 EN 301 489-17 V3.2.4
 BS EN IEC 63000:2018

Winnenden, 2021-01-19


 Alexander Krug
 Managing Director

Authorized to compile the technical file

Techtronic Industries GmbH
 Max-Eyth-Straße 10
 71364 Winnenden
 Germany

Copyright 2021
Techtronic Industries GmbH
Max-Eyth-Straße 10
71364 Winnenden
Germany
+49 (0) 7195-12-0
www.milwaukeeetool.eu

Techtronic Industries (UK) Ltd
Fieldhouse Lane
Marlow Bucks SL7 1HZ
UK

(05.21)

4100 4258 93