

Milwaukee®

**HEAVY-DUTY
ELECTRIC TOOLS**

NOTHING BUT
**HEAVY
DUTY**
MILWAUKEE

B4-32



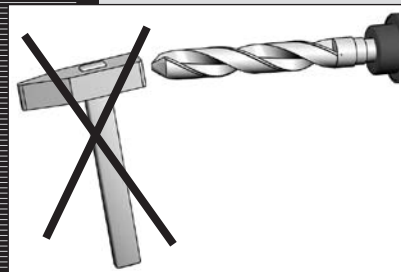
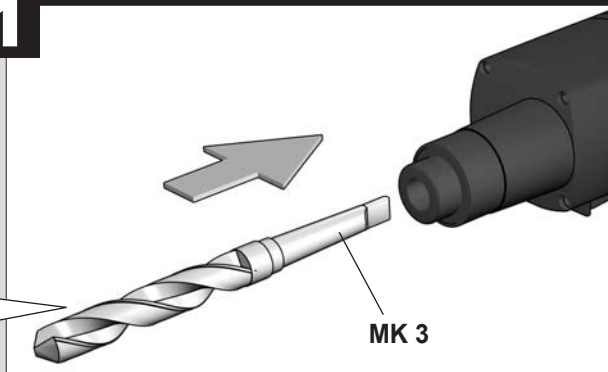
Instructions for use
Gebrauchsanleitung
Instruction d'utilisation
Istruzioni d'uso
Instrucciones de uso
Instruções de serviço
Gebruiksaanwijzing
Brugsanvisning
Bruksanvisning
Käyttöohje
Οδηγίες χρήσεως
Kullanım kılavuzu

Návod k používání
Návod na používanie
Instrukcja obsługi
Kezelési útmutató
Navodilo za uporabo
Upute o upotrebi
Lietošanas pamācība
Naudojimo instrukcija
Kasutamisyjuhend
Инструкция по использованию
Упътване за експлоатация
使用指南

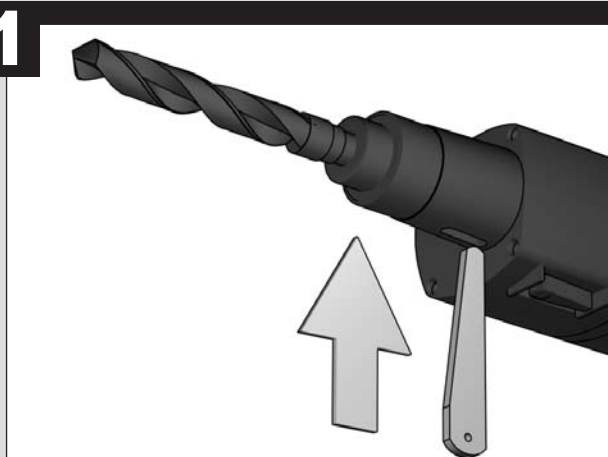
Technical Data, Safety Instructions, Specified Conditions of Use, EC-Declaration of Conformity, Mains connection, Maintenance, Symbols	Please read and save these instructions!	ENGLISH	11
Technische Daten, Sicherheitshinweise, Bestimmungsgemäße Verwendung, CE-Konformitätserklärung, Netzanschluss, Wartung, Symbole	Bitte lesen und aufbewahren!	DEUTSCH	12
Caractéristiques techniques, Instructions de sécurité, Utilisation conforme aux prescriptions, Déclaration CE de Conformité, Branchement secteur, Entretien, Symboles	Prière de lire et de conserver!	FRANÇAIS	13
Dati tecnici, Norme di sicurezza, Utilizzo conforme, Dichiarazione di Conformità CE, Collegamento alla rete, Manutenzione, Simboli	Si prega di leggere le istruzioni e di conservarle!	ITALIANO	14
Datos técnicos, Instrucciones de seguridad, Aplicación de acuerdo a la finalidad, Declaración de Conformidad CE, Conexión eléctrica, Mantenimiento, Símbolos	Lea y conserve estas instrucciones por favor!	ESPAÑOL	15
Características técnicas, Instruções de segurança, Utilização autorizada, Declaração de Conformidade CE, Ligação à rede, Manutenção, Símbolo	Por favor leia e conserve em seu poder!	PORTUGUES	16
Technische gegevens, Veiligheidsadviezen, Voorgescreven gebruik van het systeem, EC-Konformiteitsverklaring, Net aansluiting, Onderhoud, Symbolen	Lees en let goed op deze adviezen!	NEDERLANDS	17
Tekniske data, Sikkerhedshenvisninger, Tiltænkt formål, CE-Konformitetserklæring, Netttilslutning, Vedligeholdelse, Symboler	Vær venlig at læse og opbevare!	DANSK	18
Tekniske data, Spesielle sikkerhetshenvisninger, Formålsmessig bruk, CE-Samsvarserklæring, Netttilkopling, Vedlikehold, Symboler	Vennligst les og oppbevar!	NORSK	19
Tekniska data, Säkerhetsutrustning, Använd maskinen Enligt anvisningarna, CE-Försäkran, Nätanslutning, Skötsel, Symboler	Var god läs och tag tillvara dessa instruktioner!	SVENSKA	20
Tekniset arvot, Turvallisuusohjeet, Tarkoituksenmukainen käyttö, Todistus CE-standardinmukaisuudesta, Verkkoliitäntä, Huolto, Symbolit	Lue ja säilytä!	SUOMI	21
Τεχνικά στοιχεία, Ειδικές υποδείξεις ασφαλείας, Χρήση σύμφωνα με το σκοπο προορισμού, Δήλωση πιστοποίησης εκ, Συνδεση στο ηλεκτρικο δικτυο, Συντηρηση, Συμβολα	Παρακαλώ διαβάστε τις και φυλάξτε τις!	ΕΛΛΗΝΙΚΑ	22
Teknik veriler, Güvenliğin için talimatlar, Kullanım, CE uygunluk beyanice, Şebeke bağlantısı, Bakım, Semboller	Lütfen okuyun ve saklayın	TÜRKÇE	23
Technická data, Speciální bezpečnostní upozornění, Oblast využití, Ce-prohlášení o shodě, Připojení na síť, Údržba, Symboly	Po přečtení uschovejte	ČESKY	24
Technické údaje, Špeciálne bezpečnostné pokyny, Použitie podľa predpisov, CE-Vyhľadanie konformity, Sieťová prípojka, Údržba, Symboly	Prosím prečítať a uschovať!	SLOVENSKY	25
Dane techniczne, Specjalne zalecenia dotyczące bezpieczeństwa, Użytkowanie zgodne z przeznaczeniem, Świadectwo zgodności ce, Podłączenie do sieci, Gwarancja, Symbole	Prosimy o uważne przeczytanie i przestrzeganie zaleceń zamie szczonych w tej instrukcji.	POLSKI	26
Műszaki adatok, Különleges biztonsági tudnivalók, Rendeltetésszerű használat, CE-azonossági nyilatkozat, Hálózati csatlakoztatás, Karbantartás, Szimbólumok	Olvassa el és őrizze meg	MAGYAR	27
Tehnični podatki, Specialni varnostni napotki, Uporaba v skladu z namembnostjo, Ce-izjava o konformnosti, Omrežni priključek, Vzdrževanje, Simboli	Prosimo preberite in shranite!	SLOVENŠČINA	28
Tehnički podaci, Specijalne sigurnosne upute, Propisna upotreba, CE-Izjava konformnosti, Priključak na mrežu, Održavanje, Simboli	Molimo pročitati i sačuvati	HRVATSKI	29
Tehniske dati, Speciālie drošības noteikumi, Noteikumiem atbilstošs izmantojums, Atbilstība CE normām, Tīkla pieslēgums, Apkope, Simboli	Pielikums lietošanas pamācībai	LATVISKI	30
Techniniai duomenys, Ypatingos saugumo nuorodos, Naudojimas pagal paskirtį, CE Atitikties patvirtimas, Elektros tinklo jungtis, Techninis aptarnavimas, Simboliai	Prašome perskaityti ir neišmesti!	LIETUVIŠKAI	31
Tehnilised andmed, Spetsiaalsed turvajuhised, Kasutamise vastavalt otstarbele, EÜ Vastavusavaldus, Võrku ühendamine, Hooldus, Sümbolid	Palun lugege läbi ja hoidke alati!	EESTI	32
Технические данные, Рекомендации по технике безопасности, Использо- вание, Подключение к электросети, Обслуживание, Символы	Пожалуйста, прочтите и сохраните настоящую! инструкцию	РУССКИЙ	33
Технически данни, Специални указания за безопасност, Използване по предназначение, CE-Декларация за съответствие, Свързване към мрежата, Поддръжка, Символи	Моля прочетете и запазете!	БЪЛГАРСКИ	34
技术数据, 特殊安全指示, 正确地使用机器, 欧洲安全规定说明, 电源插头, 维修, 符号	请详细阅读并妥善保存!	中文	35



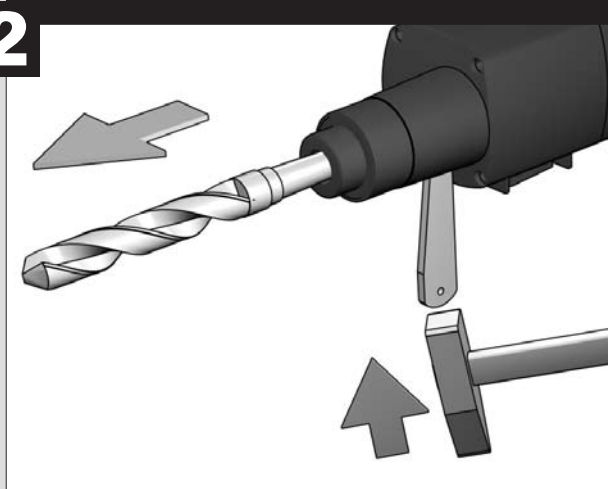
1

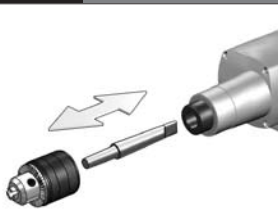


1

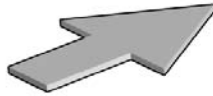


2

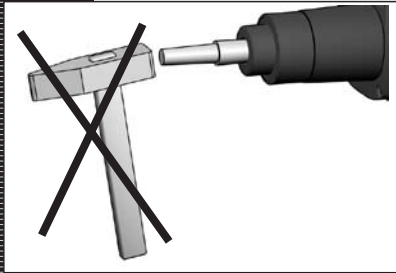




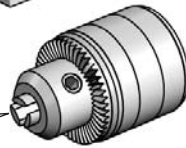
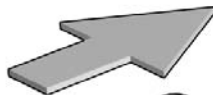
1



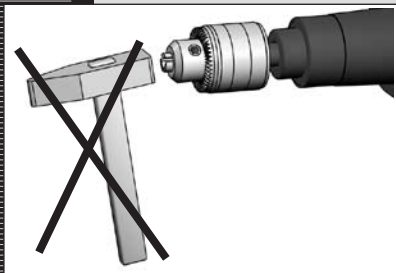
MK 3



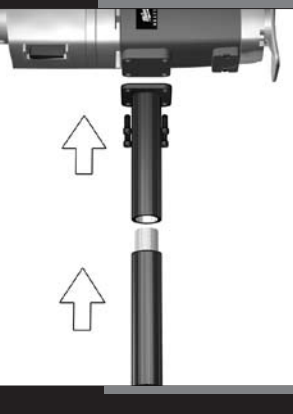
2



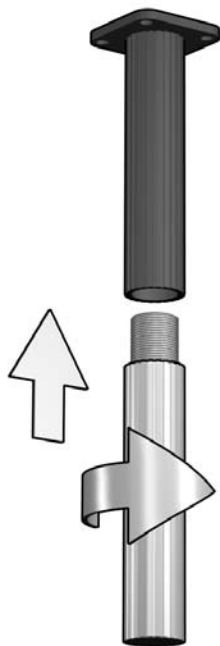
B16, B22



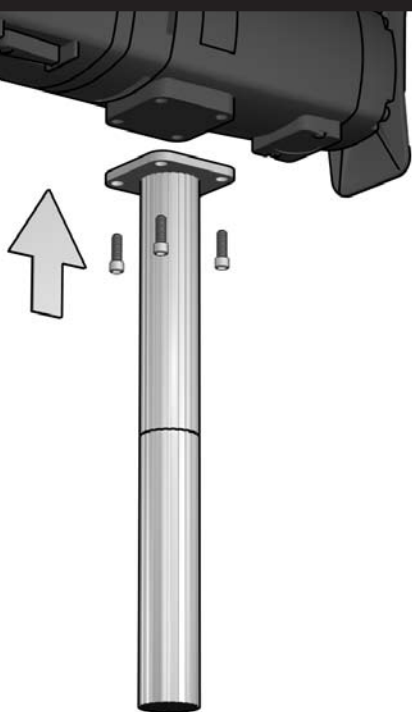
Accessory
 Zubehör
 Accessoire
 Accessorio
 Accessorio
 Acessório
 Toebehoren
 Tilbehør
 Tilbehør
 Tilbehör
 Lisälaite
 Εξαρτήματα
 Aksesuar
 Příslušenství
 Příslušenstvo
 Element wyposażenia
 dodatkowego
 Tartozék
 Oprema
 Pribor
 Papildus aprīkojums
 Priedas
 Tarvikud
 Дополнитель
 Аксессуар
 配件

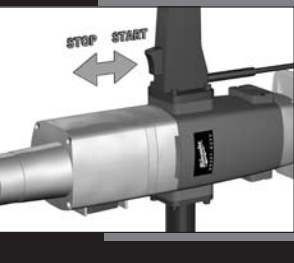


1

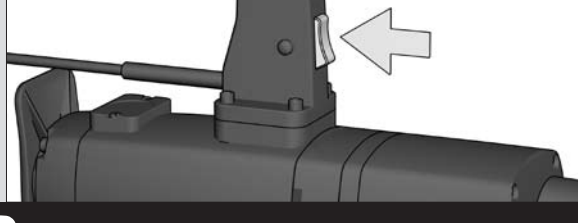


2

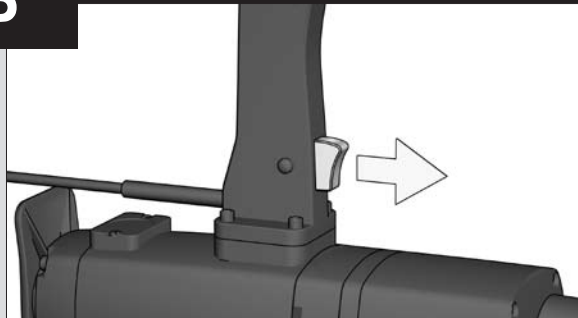




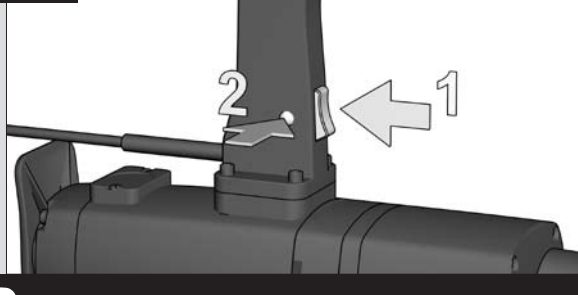
START



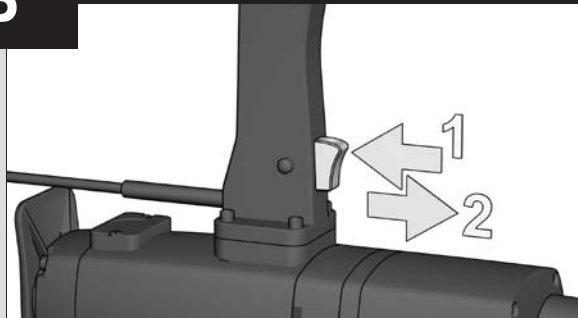
STOP

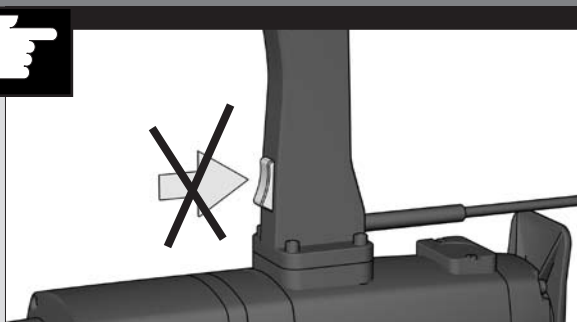
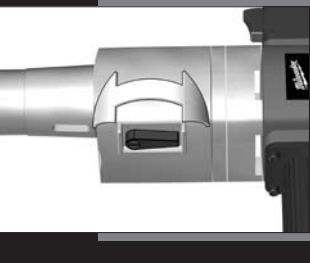


START



STOP





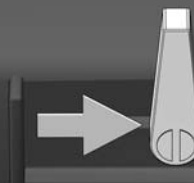
1



2

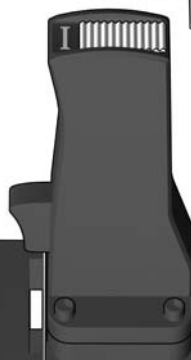
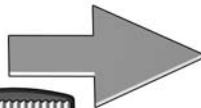


3

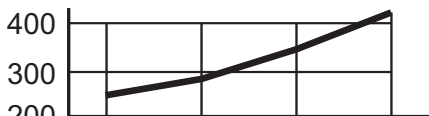


4





min⁻¹



øAlu	85	60	40	<40
øSt37	85	50	30	<28
øSt52	50	32	24	12

TECHNICAL DATA

Nominal power output	1050 W
Rated output	525 W
No-load speed, 1st gear	220 /min
No-load speed, 2nd gear	250 /min
No-load speed, 3rd gear	350 /min
No-load speed, 4th gear	420 /min
Speed under load max., 1st gear	115 /min
Speed under load max., 2nd gear	160 mm
Speed under load max., 3rd gear	190 mm
Speed under load max., 4th gear	260 mm
Drilling capacity in steel	32 mm
Drilling capacity in Aluminium	64 mm
Drilling capacity in soft- wood	52 mm
Chuck reception morse taper	MK 3
Chuck neck diameter	57 mm
Weight without cable	7,5 kg
Typical weighted acceleration in the hand-arm area	< 2,5 m/s ²
Typical A-weighted sound levels:	
Sound pressure level	89 dB (A)
Sound power level	102 dB (A)

Wear ear protectors! Measured values determined according to EN 50 144.

The data stated above apply for models with 230 - 240 V. In case of deviating mains voltage, the data stated on the rating plate are applicable.

SAFETY INSTRUCTIONS

Please pay attention to the safety instructions in the attached leaflet!

Appliances used at many different locations including open air must be connected via a current surge preventing switch.

Always wear goggles when using the machine. It is recommended to wear gloves, sturdy non slipping shoes and apron.

Sawdust and splinters must not be removed while the machine is running.

Always disconnect the plug from the socket before carrying out any work on the machine.

Only plug-in when machine is switched off.

Keep mains lead clear from working range of the machine. Always lead the cable away behind you.

Always use the auxiliary handle, even if the machine has a safety clutch since this safety clutch only engages when the machine blocks with a jerk.

Do not use diamond core drills on hammer mode.

When working in walls ceiling, or floor, take care to avoid electric cables and gas or waterpipes.

SPECIFIED CONDITIONS OF USE

The drill can be used for drilling in wood, metal and plastics.

Do not use this product in any other way as stated for normal use.

MAINS CONNECTION

Connect only to single-phase a.c. current and only to the system voltage indicated on the rating plate. It is also possible to connect to sockets without an earthing contact as the design conforms to safety class II.

EC-DECLARATION OF CONFORMITY

We declare under our sole responsibility that this product is in conformity with the following standards or standardized documents. EN 50144, EN 55014-1, EN 55014-2, EN 61000-3-2, EN 61000-3-3, in accordance with the regulations 98/37/EC, 89/336/EEC

CE 04

Volker Siegle
Manager Product Development

MAINTENANCE

The ventilation slots of the machine must be kept clear at all times.

Use only Milwaukee accessories and Milwaukee spare parts. Should components need to be replaced which have not been described, please contact one of our Milwaukee service agents (see our list of guarantee/service addresses).

If needed, an exploded view of the tool can be ordered. Please state the ten-digit No. as well as the machine type printed on the label and order the drawing at your local service agents or directly at: Milwaukee Electric Tool, Max-Eyth-Straße 10, D-71364 Winnenden, Germany.

SYMBOLS



Always disconnect the plug from the socket before carrying out any work on the machine.



Accessory - Not included in standard equipment, available as an accessory.